

Double Insulated — Industrial and VDE

DESCRIPTION

This line of Double Insulated toggles comes in two versions: Industrial and VDE Class II. The VDE version has the VDE registration number 80861239 and has been tested in accordance with VDE 0630.

SPECIFICATIONS

Lever Material and Finish:

Durable high strength nylon.

Contact Mechanism:

Quick-make/Quick-break wiping action.

Contact Material:

Movable — Copper silver plated.

Stationary — Bronze silver plated.

Approvals:

UL Recognized.

CSA Certified.

VDE Registered (where noted).



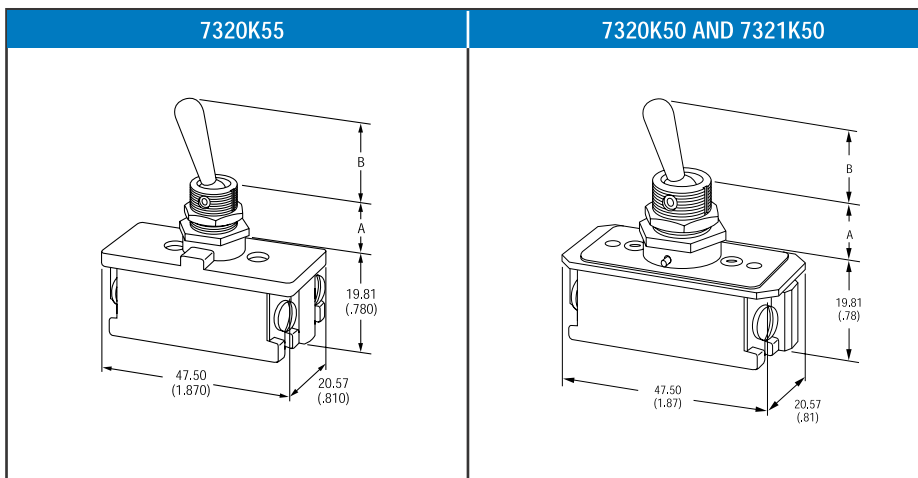
Refer to pages 2.12-2.13 (Industrial Purpose) for general specifications.

DOUBLE INSULATED SELECTION TABLE

| Rating | Poles and Throw | Circuit with Toggle in | | | BASE CIRCUIT SEE PAGE 4.28 | Bushing Length A mm (inches) | Lever Length B mm (inches) | CATALOG NUMBERS Screw Terminals |
|--|-----------------|------------------------|---------------------|-------------------------------|----------------------------|---------------------------------|-------------------------------|--|
| | | UP Position | CENTER Position | DOWN Position (Keyway) | | | | |
| SINGLE POLE — INDUSTRIAL | | | | | | | | |
| 16A, 125V ac/dc 8A, 250V ac/dc 1 Hp, 125V ac/dc | 1 P.S.T. | ON | NONE | OFF | A | 11.89 (.468) | 17.12 (.674) | 7321K50 |
| TWO POLE — INDUSTRIAL | | | | | | | | |
| 16A, 125V ac/dc 8A, 250V ac/dc 1 Hp, 125V ac/dc | 2 P.S.T. | ON | NONE | OFF | C | 11.89 (.468) | 17.12 (.674) | 7320K50 |
| VDE APPROVED (MEETS REQUIREMENTS OF CEE PUBL. 25) | | | | | | | | |
| 16A, 125V ac/dc 8A, 250V ac/dc ① 1 Hp, 125V ac/dc | 2 P.S.T. | ON | NONE | OFF | C | 11.89 (.468) | 17.12 (.674) | 7320K55 |

① VDE 8(8) 250V, T85C.

DIMENSIONS APPROXIMATE IN MM (INCHES)



7073K20G152
Illuminated



7071K21T152
Illuminated



7071K21A152
Illuminated



7320K55
Double Insulated