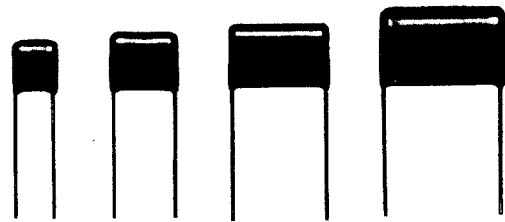


ECQ-E Series

The type ECQ-E series is using a dual side metallized polyester film with high dielectric constant (ϵ) which makes it possible to produce large C-values in small dimensions, and is economical capacitor meeting high requirements for professional circuit design.



■ Features

- Self-healing property
- Flame retardant epoxy resin coating
- Available for wide automatic insertion range (Not standard/upon request)
- Excellent high frequency characteristics

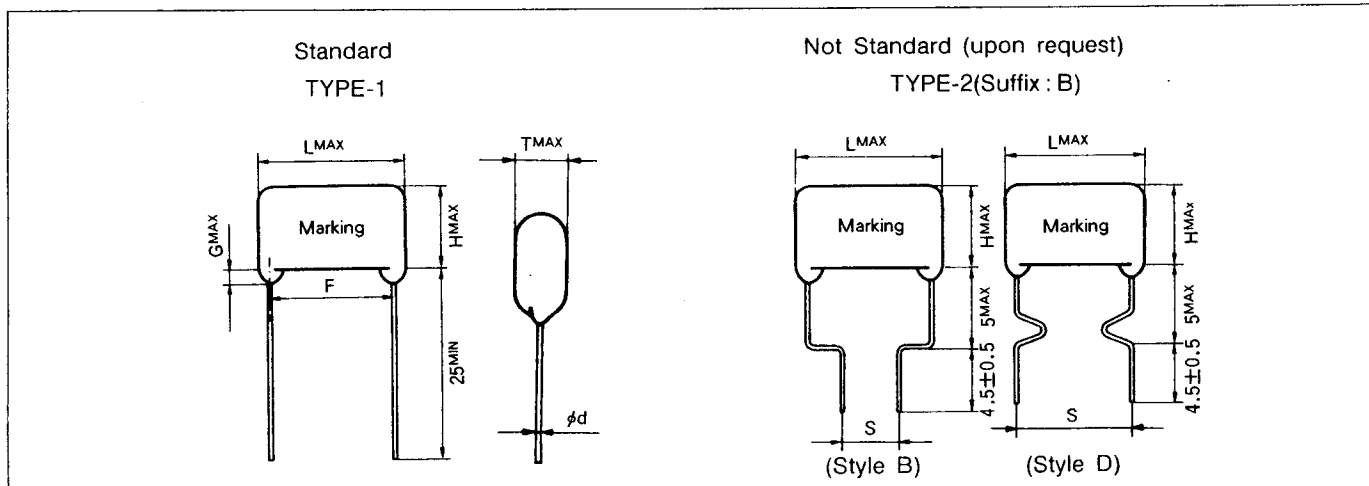
■ Applications

- Blocking, by-pass and coupling of DC and signals to VHF range
- Pulse, logic and timing circuit
- Filter and noise suppression circuit
- General purpose usage in both consumer and industrial equipment.

■ Specifications

| | | |
|-----------------------|---|-----------------|
| Operating temp. range | -40~+85°C (At +105°C with 75% of rated voltage) | |
| Rated voltage | DC 100V, 250V, 400V, 630V, | |
| Capacitance range | 0.001~10 μ F | |
| Capacitance tolerance | $\pm 10\%$ (K) [($\pm 5\%$ (J) upon request), Not standard] | |
| Dissipation factor | $\leq 1.0\%$ (20°C, 1kHz) | |
| Withstand voltage | Between terminals : rated voltage (V DC) $\times 150\%$ 1minute | |
| Isulation resistance | C $\leq 0.33\mu$ F : $\geq 9000M\Omega$ C > 0.33 μ F : $\geq 3000M\Omega \cdot \mu$ F (20°C, DC 100V, 1minute) | |
| Construction | Metallized polyester film, flame retardant epoxy coating | |
| Lead material | Solder-plated copper wire | 100VDC, 250VDC |
| | Solder-plated copper-clad steel wire | 400VDC, 630VDC, |

■ Dimensions



100VDC Series

■ TYPE-Z

| Part code | Capacitance (μ F) | Dimensions(mm) | | | | | | | |
|----------------|---------------------------|------------------|------------------|------------------|--------------|-------------|------------------|---------------------|-----------------|
| | | L ^{MAX} | T ^{MAX} | H ^{MAX} | F \pm 0.75 | S \pm 0.8 | G ^{MAX} | ϕ d \pm 0.05 | TYPE-2 Style |
| | | | | | TYPE-1 | TYPE-2 | TYPE-1 | | |
| ECQ E1104KZ() | 0.1 | 12.0 | 4.0 | 7.5 | 10.0 | 5.0 | 1.0 | 0.6 | B |
| " 1124KZ() | 0.12 | " | 4.5 | " | " | " | " | " | " |
| " 1154KZ() | 0.15 | " | 4.0 | 9.5 | " | " | " | " | " |
| " 1184KZ() | 0.18 | " | 4.5 | 10.0 | " | " | " | " | " |
| " 1224KZ() | 0.22 | " | 5.0 | 10.5 | " | " | " | " | " |
| " 1274KZ() | 0.27 | 17.0 | 4.5 | 8.0 | 15.0 | 10.0 | " | " | " |
| " 1334KZ() | 0.33 | " | " | 10.0 | " | " | " | " | " |
| " 1394KZ() | 0.39 | " | 5.0 | " | " | " | " | " | " |
| " 1474KZ() | 0.47 | " | 5.5 | 11.0 | " | " | " | " | " |
| " 1564KZ() | 0.56 | " | 6.5 | 11.5 | " | " | " | 0.8 | " |
| " 1684KZ() | 0.68 | " | 7.0 | 12.0 | " | " | " | " | " |
| " 1824KZ() | 0.82 | " | 7.5 | 13.0 | " | " | " | " | " |
| " 1105KZ() | 1.0 | " | 8.0 | 14.0 | " | " | " | " | " |
| " 1125KZ() | 1.2 | " | 8.5 | 16.0 | " | " | " | " | " |
| " 1155KZ() | 1.5 | 25.5 | 7.5 | 14.5 | 22.5 | 15.0 | " | " | " |
| " 1185KZ() | 1.8 | " | 8.5 | 16.0 | " | " | " | " | " |
| " 1225KZ() | 2.2 | " | 9.5 | 16.5 | " | " | " | " | " |
| " 1275KZ() | 2.7 | " | 10.0 | 18.5 | " | " | " | " | " |
| " 1335KZ() | 3.3 | " | " | 19.0 | " | " | " | " | " |
| " 1395KZ() | 3.9 | 30.5 | 11.0 | 18.0 | 27.5 | 20.0 | 1.5 | " | " |
| " 1475KZ() | 4.7 | " | " | 20.5 | " | " | " | " | " |
| " 1565KZ() | 5.6 | " | 12.5 | 21.0 | " | " | " | " | " |
| " 1685KZ() | 6.8 | " | 13.0 | 24.0 | " | " | " | " | " |
| " 1825KZ() | 8.2 | " | 15.0 | 25.0 | " | " | " | " | " |
| " 1106KZ() | 10.0 | " | 16.0 | 27.0 | " | " | " | " | " |

↑ Suffix "B" for Crimped lead as type-2 (Not standard)

■ TYPE-F (NEW MINI-DIP)

| Part code | Capacitance (μ F) | Dimensions (mm) | | | | | | | |
|----------------|---------------------------|------------------|------------------|------------------|-------------|-------------|------------------|---------------------|-----------------|
| | | L ^{MAX} | T ^{MAX} | H ^{MAX} | F \pm 1.0 | S \pm 0.8 | G ^{MAX} | ϕ d \pm 0.05 | TYPE-2 Style |
| | | | | | TYPE-1 | TYPE-2 | TYPE-1 | | |
| ECQE1103KF () | 0.01 | 7.8 | 4.6 | 7.7 | 5.0 | 5.0 | 1.0 | 0.5 | D |
| “ 1123KF () | 0.012 | “ | 4.5 | 7.6 | “ | “ | “ | “ | “ |
| “ 1153KF () | 0.015 | “ | “ | “ | “ | “ | “ | “ | “ |
| “ 1183KF () | 0.018 | “ | 4.6 | 7.7 | “ | “ | “ | “ | “ |
| “ 1223KF () | 0.022 | “ | 4.9 | 8.0 | “ | “ | “ | “ | “ |
| “ 1273KF () | 0.027 | “ | 4.7 | 7.8 | “ | “ | “ | “ | “ |
| “ 1333KF () | 0.033 | “ | 4.6 | 7.7 | “ | “ | “ | “ | “ |
| “ 1393KF () | 0.039 | “ | 4.9 | 8.0 | “ | “ | “ | “ | “ |
| “ 1473KF () | 0.047 | “ | 4.5 | 7.5 | “ | “ | “ | “ | “ |
| “ 1563KF () | 0.056 | “ | 4.8 | 7.9 | “ | “ | “ | “ | “ |
| “ 1683KF () | 0.068 | “ | “ | “ | “ | “ | “ | “ | “ |
| “ 1823KF () | 0.082 | “ | 4.7 | 9.9 | “ | “ | “ | “ | “ |
| “ 1104KF () | 0.1 | “ | 5.0 | 10.0 | “ | “ | “ | “ | “ |
| “ 1124KF () | 0.12 | 10.3 | 4.5 | 7.5 | 7.5 | 7.5 | “ | 0.6 | “ |
| “ 1154KF () | 0.15 | “ | “ | “ | “ | “ | “ | “ | “ |
| “ 1184KF () | 0.18 | “ | 4.8 | 7.9 | “ | “ | “ | “ | “ |
| “ 1224KF () | 0.22 | “ | 5.0 | 8.0 | “ | “ | “ | “ | “ |
| “ 1274KF () | 0.27 | “ | 4.5 | 12.0 | “ | “ | “ | “ | “ |
| “ 1334KF () | 0.33 | “ | 6.0 | 10.7 | “ | “ | “ | “ | “ |
| “ 1394KF () | 0.39 | “ | 6.3 | 11.0 | “ | “ | “ | “ | “ |
| “ 1474KF () | 0.47 | “ | 6.0 | 12.0 | “ | “ | “ | “ | “ |
| “ 1564KF () | 0.56 | 12.0 | 5.5 | 10.9 | 10.0 | 10.0 | “ | “ | “ |
| “ 1684KF () | 0.68 | “ | 6.0 | 11.9 | “ | “ | “ | “ | “ |
| “ 1824KF () | 0.82 | “ | “ | 13.5 | “ | “ | “ | “ | “ |
| “ 1105KF () | 1.0 | “ | 6.7 | 14.0 | “ | “ | “ | “ | “ |
| “ 1125KF () | 1.2 | 18.5 | 5.5 | 12.8 | 15.0 | “ | “ | “ | B |
| “ 1155KF () | 1.5 | “ | 6.0 | 13.4 | “ | “ | “ | 0.8 | “ |
| “ 1185KF () | 1.8 | “ | 6.5 | 14.4 | “ | “ | “ | “ | “ |
| “ 1225KF () | 2.2 | “ | 7.0 | 15.0 | “ | “ | “ | “ | “ |
| “ 1275KF () | 2.7 | “ | 8.0 | 15.8 | “ | “ | “ | “ | “ |
| “ 1335KF () | 3.3 | “ | 8.5 | 16.5 | “ | “ | “ | “ | “ |
| “ 1395KF () | 3.9 | 26.0 | 7.0 | 16.4 | 22.5 | 15.0 | “ | “ | “ |
| “ 1475KF () | 4.7 | “ | 7.5 | 17.0 | “ | “ | “ | “ | “ |
| “ 1565KF () | 5.6 | “ | 8.3 | 17.5 | “ | “ | “ | “ | “ |
| “ 1685KF () | 6.8 | “ | 9.0 | 18.5 | “ | “ | “ | “ | “ |
| “ 1825KF () | 8.2 | “ | 10.0 | 20.0 | “ | “ | 1.5 | “ | “ |
| “ 1106KF () | 10.0 | “ | 11.5 | 21.0 | “ | “ | “ | “ | “ |

↑ Suffix "B" for Crimped lead as Type-2. Not standard

250VDC Series

■TYPE-S

| Part code | Capacitance (μ F) | Dimensions (mm) | | | | | | | |
|-----------------|---------------------------|------------------|------------------|------------------|--------------|-------------|------------------|---------------------|-----------------|
| | | L ^{MAX} | T ^{MAX} | H ^{MAX} | F \pm 0.75 | S \pm 0.8 | G ^{MAX} | ϕ d \pm 0.05 | TYPE-2 Style |
| | | | | | TYPE-1 | TYPE-2 | TYPE-1 | | |
| ECQ E2103KS () | .01 | 12.5 | 5.0 | 8.0 | 10.0 | 7.5 | 1.0 | 0.6 | B |
| " 2123KS () | .012 | " | 4.5 | " | " | " | " | " | " |
| " 2153KS () | .015 | " | 5.0 | " | " | " | " | " | " |
| " 2183KS () | .018 | " | 4.5 | " | " | " | " | " | " |
| " 2223KS () | .022 | " | " | " | " | " | " | " | " |
| " 2273KS () | .027 | " | 5.0 | " | " | " | " | " | " |
| " 2333KS () | .033 | " | 4.5 | " | " | " | " | " | " |
| " 2393KS () | .039 | " | 5.0 | " | " | " | " | " | " |
| " 2473KS () | .047 | " | 4.5 | 7.5 | " | " | " | " | " |
| " 2563KS () | .056 | " | 5.0 | 8.0 | " | " | " | " | " |
| " 2683KS () | .068 | " | " | " | " | " | " | " | " |
| " 2823KS () | .082 | " | " | 10.0 | " | " | " | " | " |
| " 2104KS () | .1 | " | " | 10.5 | " | " | " | " | " |
| " 2124KS () | .12 | 17.5 | " | 10.0 | 15.0 | " | " | 0.8 | " |
| " 2154KS () | .15 | " | 5.5 | 10.5 | " | " | " | " | " |
| " 2184KS () | .18 | " | " | " | " | 10.0 | " | " | " |
| " 2204KS () | .22 | " | " | 11.0 | " | " | " | " | " |

■ TYPE-F (NEW MINI-DIP)

| Part code | Capacitance (μ F) | Dimensions (mm) | | | | | | | | | |
|-----------------|---------------------------|------------------|------------------|------------------|-------------|--------|-------------|--------|------------------|---------------------|-----------------|
| | | L ^{MAX} | T ^{MAX} | H ^{MAX} | F \pm 1.0 | | S \pm 0.8 | | G ^{MAX} | ϕ d \pm 0.05 | TYPE-2 Style |
| | | | | | TYPE-1 | TYPE-2 | TYPE-1 | TYPE-2 | | | |
| ECQ E2103KF () | .01 | 10.3 | 4.3 | 7.4 | 7.5 | 7.5 | 1.0 | 0.6 | D | | |
| " 2123KF () | .012 | " | 4.4 | 7.5 | " | " | " | " | " | | |
| " 2153KF () | .015 | " | " | " | " | " | " | " | " | | |
| " 2183KF () | .018 | " | " | " | " | " | " | " | " | | |
| " 2223KF () | .022 | " | " | " | " | " | " | " | " | | |
| " 2273KF () | .027 | " | " | " | " | " | " | " | " | | |
| " 2333KF () | .033 | " | 4.5 | " | " | " | " | " | " | | |
| " 2393KF () | .039 | " | " | " | " | " | " | " | " | | |
| " 2473KF () | .047 | " | " | " | " | " | " | " | " | | |
| " 2563KF () | .056 | " | 4.8 | 7.9 | " | " | " | " | " | | |
| " 2683KF () | .068 | " | 4.5 | 7.5 | " | " | " | " | " | | |
| " 2823KF () | .082 | " | 4.9 | 8.0 | " | " | " | " | " | | |
| " 2104KF () | .1 | " | 5.8 | 8.4 | " | " | " | " | " | | |
| " 2124KF () | .12 | " | 6.0 | 9.0 | " | " | " | " | " | | |
| " 2154KF () | .15 | " | " | 10.8 | " | " | " | " | " | | |
| " 2184KF () | .18 | 12.0 | 5.0 | 10.3 | 10.0 | 10.0 | " | " | " | | |
| " 2224KF () | .22 | " | 5.5 | 10.5 | " | " | " | " | " | | |
| " 2274KF () | .27 | " | 6.0 | 11.5 | " | " | " | " | " | | |
| " 2334KF () | .33 | " | 6.5 | 12.0 | " | " | " | " | " | | |
| " 2394KF () | .39 | 18.5 | 4.9 | " | 15.0 | " | " | " | B | | |
| " 2474KF () | .47 | " | 5.3 | 12.5 | " | " | " | " | " | | |
| " 2564KF () | .56 | " | 5.5 | 13.0 | " | " | " | " | " | | |
| " 2684KF () | .68 | " | 6.0 | 13.5 | " | " | " | 0.8 | " | | |
| " 2824KF () | .82 | " | 6.5 | 14.5 | " | " | " | " | " | | |
| " 2105KF () | 1.0 | " | 7.4 | 15.0 | " | " | " | " | " | | |
| " 2125KF () | 1.2 | " | 8.0 | 15.9 | " | " | " | " | " | | |
| " 2155KF () | 1.5 | " | 9.0 | 16.8 | " | " | " | " | " | | |
| " 2185KF () | 1.8 | 26.0 | 7.5 | 15.5 | 22.5 | 15.0 | " | " | " | | |
| " 2225KF () | 2.2 | " | 8.5 | 16.3 | " | " | " | " | " | | |
| " 2275KF () | 2.7 | " | 9.4 | 17.0 | " | " | " | " | " | | |
| " 2335KF () | 3.3 | " | 10.3 | 18.0 | " | " | 1.5 | " | " | | |
| " 2395KF () | 3.9 | " | 11.0 | 20.5 | " | " | " | " | " | | |
| " 2475KF () | 4.7 | " | 12.0 | 21.5 | " | " | " | " | " | | |
| " 2565KF () | 5.6 | 31.0 | 11.8 | 21.0 | 27.5 | 22.5 | " | " | " | | |
| " 2685KF () | 6.8 | " | 13.0 | 22.4 | " | " | " | " | " | | |
| " 2825KF () | 8.2 | " | 14.3 | 23.5 | " | " | " | " | " | | |
| " 2106KF () | 10.0 | " | 15.9 | 25.8 | " | " | " | " | " | | |

↑ Suffix "B" for Crimped lead as Type-2. Not standard

400VDC Series

■ TYPE-Z

| Part code | Capacitance (μ F) | Dimensions (mm) | | | | | | | |
|------------------|---------------------------|------------------|------------------|------------------|--------------|-------------|------------------|---------------------|-----------------|
| | | C ^{MAX} | T ^{MAX} | H ^{MAX} | F \pm 1.25 | S \pm 0.8 | G ^{MAX} | ϕ d \pm 0.05 | TYPE-2 Style |
| | | | | | TYPE-1 | TYPE-2 | TYPE-1 | | |
| ECQ E4103 KZ () | .01 | 13.5 | 4.5 | 8.0 | 10.5 | 7.5 | 1.0 | 0.6 | B |
| " 4123 KZ () | .012 | " | 5.0 | " | " | " | " | " | " |
| " 4153 KZ () | .015 | " | 4.5 | " | " | " | " | " | " |
| " 4183 KZ () | .018 | " | 5.0 | " | " | " | " | " | " |
| " 4223 KZ () | .022 | " | " | 10.0 | " | " | " | " | " |
| " 4273 KZ () | .027 | " | " | 10.5 | " | " | " | " | " |
| " 4333 KZ () | .033 | " | 5.5 | 11.0 | " | " | " | " | " |
| " 4393 KZ () | .039 | " | 6.0 | 11.5 | " | " | " | " | " |
| " 4473 KZ () | .047 | " | 6.5 | 12.0 | " | " | " | " | " |
| " 4563 KZ () | .056 | 16.5 | 6.0 | 11.0 | 13.5 | 10.0 | " | " | " |
| " 4683 KZ () | .068 | " | 6.5 | 12.0 | " | " | " | " | " |
| " 4823 KZ () | .082 | " | 7.0 | 12.5 | " | " | " | " | " |
| " 4104 KZ () | .111 | " | " | 14.5 | " | " | " | " | " |
| " 4124 KZ () | .12 | " | 7.5 | 15.0 | " | " | " | " | " |
| " 4154 KZ () | .15 | " | 8.0 | 16.0 | " | " | " | 0.8 | " |
| " 4184 KZ () | .18 | " | 9.0 | 16.5 | " | " | " | " | " |
| " 4224 KZ () | .22 | 24.0 | 7.5 | 15.0 | 20.5 | 12.5 | " | " | " |
| " 4274 KZ () | .27 | " | 8.0 | 16.0 | " | " | " | " | " |
| " 4334 KZ () | .33 | " | 9.0 | 16.5 | " | " | " | " | " |
| " 4394 KZ () | .39 | 29.0 | 8.5 | 16.0 | 25.5 | 17.5 | 1.5 | " | " |
| " 4474 KZ () | .47 | " | 9.0 | 17.0 | " | " | " | " | " |
| " 4564 KZ () | .56 | " | 10.0 | 17.5 | " | " | " | " | " |
| " 4684 KZ () | .68 | " | 11.5 | 18.5 | " | " | " | " | " |
| " 4824 KZ () | .82 | " | 12.5 | 20.5 | " | " | " | " | " |
| " 4105 KZ () | 1.0 | " | 14.0 | 21.5 | " | " | " | " | " |
| " 4125 KZ () | 1.2 | " | 14.5 | 24.0 | " | " | " | " | " |
| " 4155 KZ () | 1.5 | 42.5 | 12.5 | 22.0 | 38.5 | 27.5 | " | " | " |
| " 4185 KZ () | 1.8 | " | 13.5 | 23.0 | " | " | " | " | " |
| " 4225 KZ () | 2.2 | " | 15.0 | 24.5 | " | " | " | " | " |

↑ Suffix "B" for Crimped lead as Type-2. Not standard

■ TYPE-F (NEW MINI-DIP)

| Part code | Capacitance (μ F) | Dimensions (mm) | | | | | | | |
|------------------|---------------------------|------------------|------------------|------------------|-------------|-------------|------------------|---------------------|-----------------|
| | | L ^{MAX} | T ^{MAX} | H ^{MAX} | F \pm 1.0 | S \pm 0.8 | G ^{MAX} | ϕ d \pm 0.05 | TYPE-2 Style |
| | | | | | TYPE-1 | TYPE-2 | TYPE-1 | | |
| ECQ E4103 KF () | .01 | 10.3 | 4.3 | 7.4 | 7.5 | 7.5 | 1.0 | 0.6 | D |
| " 4123 KF () | .012 | " | 4.4 | 7.5 | " | " | " | " | " |
| " 4153 KF () | .015 | " | " | " | " | " | " | " | " |
| " 4183 KF () | .018 | " | " | " | " | " | " | " | " |
| " 4223 KF () | .022 | " | 4.8 | 7.9 | " | " | " | " | " |
| " 4273 KF () | .027 | " | 5.5 | 8.0 | " | " | " | " | " |
| " 4333 KF () | .033 | " | 6.0 | 9.0 | " | " | " | " | " |
| " 4393 KF () | .039 | 12.0 | 4.9 | 8.0 | 10.0 | 10.0 | " | " | " |
| " 4473 KF () | .047 | " | 5.0 | 8.3 | " | " | " | " | " |
| " 4563 KF () | .056 | " | " | 10.0 | " | " | " | " | " |
| " 4683 KF () | .068 | " | 5.4 | 10.5 | " | " | " | " | " |
| " 4823 KF () | .082 | " | 5.8 | 11.0 | " | " | " | " | " |
| " 4104 KF () | .11 | " | 6.3 | 12.0 | " | " | " | " | " |
| " 4124 KF () | .12 | 18.5 | 5.0 | 10.0 | 15.0 | " | " | " | B |
| " 4154 KF () | .15 | " | " | 12.4 | " | " | " | " | " |
| " 4184 KF () | .18 | " | 5.4 | 12.5 | " | " | " | " | " |
| " 4224 KF () | .22 | " | 5.9 | 13.0 | " | " | " | " | " |
| " 4274 KF () | .27 | " | 6.5 | 14.3 | " | " | " | 0.8 | " |
| " 4334 KF () | .33 | " | 7.0 | 14.9 | " | " | " | " | " |
| " 4394 KF () | .39 | " | 7.5 | 15.4 | " | " | " | " | " |
| " 4474 KF () | .47 | " | 7.8 | 17.0 | " | " | " | " | " |
| " 4564 KF () | .56 | 26.0 | 6.5 | 16.0 | 22.5 | 15.0 | " | " | " |
| " 4684 KF () | .68 | " | 7.0 | 16.5 | " | " | " | " | " |
| " 4824 KF () | .82 | " | 7.9 | 17.3 | " | " | " | " | " |
| " 4105 KF () | 1.0 | " | 8.5 | 18.0 | " | " | " | " | " |
| " 4125 KF () | 1.2 | " | 9.5 | 18.9 | " | " | " | " | " |
| " 4155 KF () | 1.5 | 31.0 | " | 19.0 | 27.5 | 22.5 | " | " | " |
| " 4185 KF () | 1.8 | " | 11.0 | 20.5 | " | " | 1.5 | " | " |
| " 4225 KF () | 2.2 | " | " | 22.0 | " | " | " | " | " |

↑ Suffix "B" for Crimped lead as Type-2. Not standard

630 VDC Series

■ TYPE-Z

| Part code | Capacitance (μ F) | Dimensions(mm) | | | | | | | TYPE-2 Style |
|----------------|---------------------------|------------------|------------------|------------------|------------------------|-----------------------|----------------------------|---------------------|-----------------|
| | | L ^{MAX} | T ^{MAX} | H ^{MAX} | F \pm 1.25 TYPE-1 | S \pm 0.8 TYPE-2 | G ^{MAX} TYPE-1 | ϕ d \pm 0.05 | |
| ECQ E6103KZ() | .01 | 13.5 | 5.0 | 8.0 | 10.5 | 7.5 | 1.0 | 0.6 | B |
| " 6123KZ() | .012 | " | " | 10.0 | " | " | " | " | " |
| " 6153KZ() | .015 | " | 5.5 | 10.5 | " | " | " | " | " |
| " 6183KZ() | .018 | " | " | 11.0 | " | " | " | " | " |
| " 6223KZ() | .022 | " | 6.0 | 12.0 | " | " | " | " | " |
| " 6273KZ() | .027 | 16.5 | 5.0 | 12.5 | 13.5 | 10.0 | " | " | " |
| " 6333KZ() | .033 | " | 5.5 | 12.0 | " | " | " | " | " |
| " 6393KZ() | .039 | " | 6.0 | " | " | " | " | " | " |
| " 6473KZ() | .047 | " | 6.5 | 13.5 | " | " | " | " | " |
| " 6563KZ() | .056 | " | 7.0 | 14.0 | " | " | " | " | " |
| " 6683KZ() | .068 | " | 7.5 | 15.0 | " | " | " | " | " |
| " 6823KZ() | .082 | " | 8.0 | 16.0 | " | " | " | 0.8 | " |
| " 6104KZ() | .1 | 24.0 | 6.5 | 14.0 | 20.5 | 12.5 | 1.5 | " | " |
| " 6124KZ() | .12 | " | 7.5 | 15.0 | " | " | " | " | " |
| " 6154KZ() | .15 | " | 8.0 | 16.0 | " | " | " | " | " |
| " 6184KZ() | .18 | " | 9.0 | 16.5 | " | " | " | " | " |
| " 6224KZ() | .22 | 29.0 | 8.5 | " | 25.5 | 17.5 | " | " | " |
| " 6274KZ() | .27 | " | 9.5 | 17.0 | " | " | " | " | " |
| " 6334KZ() | .33 | " | 10.5 | 18.0 | " | " | " | " | " |
| " 6394KZ() | .39 | " | 11.5 | 19.0 | " | " | " | " | " |
| " 6474KZ() | .47 | " | 12.5 | 20.5 | " | " | " | " | " |
| " 6564KZ() | .56 | " | 14.0 | 21.5 | " | " | " | " | " |
| " 6684KZ() | .68 | 42.5 | 12.0 | 19.5 | 38.5 | 27.5 | " | " | " |
| " 6824KZ() | .82 | " | 13.0 | 21.0 | " | " | " | " | " |
| " 6105KZ() | 1.0 | " | 13.5 | 23.0 | " | " | " | " | " |
| " 6125KZ() | 1.2 | " | 15.0 | 24.5 | " | " | " | " | " |
| " 6155KZ() | 1.5 | " | 17.0 | 27.0 | " | " | " | " | " |
| " 6185KZ() | 1.8 | " | 19.5 | 29.0 | " | " | " | 1.0 | " |
| " 6225KZ() | 2.2 | " | 20.5 | 32.0 | " | " | " | " | " |

↑ Suffix "B" for Crimped as Type-2. Not standard

■ TYPE-F (NEW MINI-DIP)

| Part code | Capacitance (μF) | Dimensions (mm) | | | | | | | |
|-----------------|----------------------------|------------------|------------------|------------------|-------------|-------------|------------------|-------------------|-----------------|
| | | L ^{MAX} | T ^{MAX} | H ^{MAX} | F ± 1.0 | S ± 0.8 | G ^{MAX} | $\phi d \pm 0.05$ | TYPE-2 Style |
| | | | | | TYPE-1 | TYPE-2 | TYPE-1 | | |
| ECQ E6103KF () | .01 | 12.0 | 4.5 | 7.5 | 10.0 | 10.0 | 1.0 | 0.6 | D |
| "/ 6123KF () | .012 | " | " | 7.8 | " | " | " | " | " |
| "/ 6153KF () | .015 | " | 5.0 | 8.2 | " | " | " | " | " |
| "/ 6183KF () | .018 | " | 4.9 | 10.0 | " | " | " | " | " |
| "/ 6223KF () | .022 | " | 5.3 | 10.5 | " | " | " | " | " |
| "/ 6273KF () | .027 | " | 5.5 | 10.9 | " | " | " | " | " |
| "/ 6333KF () | .033 | " | 6.0 | 11.9 | " | " | " | " | " |
| "/ 6393KF () | .039 | " | " | 13.4 | " | " | " | " | " |
| "/ 6473KF () | .047 | " | 6.5 | 13.5 | " | " | " | " | " |
| "/ 6563KF () | .056 | 18.5 | 5.4 | 10.5 | 15.0 | " | " | " | B |
| "/ 6683KF () | .068 | " | 5.8 | 11.0 | " | " | " | " | " |
| "/ 6823KF () | .082 | " | 6.5 | 12.0 | " | " | " | " | " |
| "/ 6104KF () | .1 | " | 6.3 | 14.0 | " | " | " | " | " |
| "/ 6124KF () | .12 | " | " | 14.5 | " | " | " | 0.8 | " |
| "/ 6154KF () | .15 | " | 7.5 | 15.4 | " | " | " | " | " |
| "/ 6184KF () | .18 | " | 8.0 | 16.0 | " | " | " | " | " |
| "/ 6224KF () | .22 | " | 9.0 | 16.5 | " | " | " | " | " |
| "/ 6274KF () | .27 | 26.0 | 7.0 | " | 22.5 | 15.0 | " | " | " |
| "/ 6334KF () | .33 | " | 7.8 | 17.0 | " | " | " | " | " |
| "/ 6394KF () | .39 | " | 8.5 | 17.9 | " | " | " | " | " |
| "/ 6474KF () | .47 | " | 9.3 | 18.5 | " | " | " | " | " |
| "/ 6564KF () | .56 | " | 10.0 | 20.0 | " | " | 1.5 | " | " |
| "/ 6684KF () | .68 | " | 11.5 | 21.0 | " | " | " | " | " |
| "/ 6824KF () | .82 | 31.0 | 11.3 | 20.5 | 27.5 | 22.5 | " | " | " |
| "/ 6105KF () | 1.0 | " | 12.5 | 21.9 | " | " | " | " | " |
| "/ 6125KF () | 1.5 | " | 13.5 | 23.0 | " | " | " | " | " |
| "/ 6155KF () | 1.5 | " | 15.3 | 24.7 | " | " | " | " | " |
| "/ 6185KF () | 1.8 | " | 16.8 | 27.0 | " | " | " | " | " |
| "/ 6225KF () | 2.2 | " | 19.5 | 29.0 | " | " | " | " | " |

↑ Suffix "B" for Crimped lead as Type-2. Not standard